



METROPOLITAN AIR TECHNOLOGY REMOTE CABLE OPERATED DAMPERS

Issue 5, July 2008

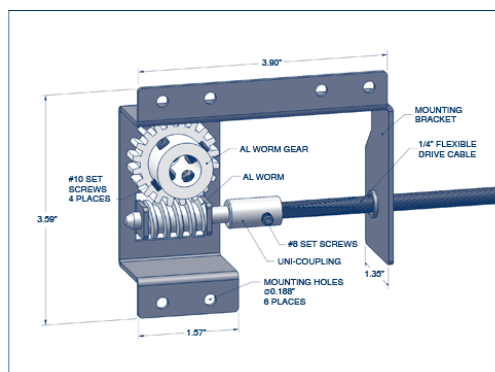
Since 1992 Metropolitan Air Technology LLC. has combined creative engineering, excellence in manufacturing, and friendly service to offer a unique advantage to our customers. MAT is focused on offering reliable products that are high quality, easy to install, and easy to operate.



Three Reasons to Use MAT

1. A simplified one piece design eliminates unnecessary parts, pieces, and steps from the installation process, which significantly reduces the total acquisition cost.
2. MAT's patented Rototwist™ design offers easy precision balancing, using a 1/4" diameter flexible steel cable that transmits torque with a standard hex nut driver. No additional tools or cable sheathing is required.
3. MAT ships its product pre-assembled and ready to install.

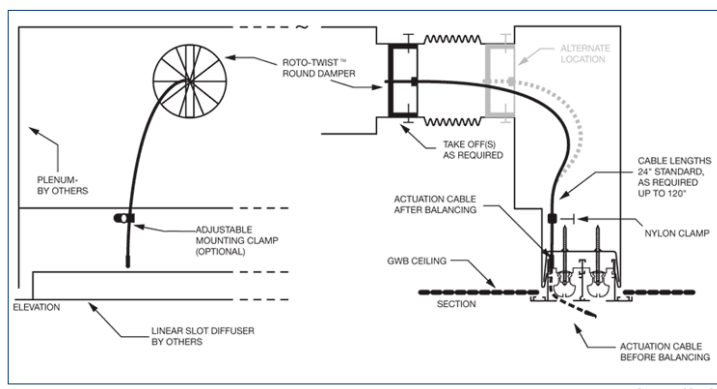
Remote Cable Operated Dampers



MAT's RT-200/250 (as pictured above) worm gear assembly is universal and easy to use in renovation projects on most any shaft driven manual damper.

MAT's RT-100/150 (shown below) series provides a simple, cost-effective, unobtrusive way to balance a system.

Our products are engineered to make your project easier. Our Manual Remote Control (cable operated) Dampers provide balancing for inaccessible ducts and take-offs. The prime application is on multiple inlet linear/slot plenums with the adjustment tip mounted immediately behind the air outlet. Alternate situations such as branch ducts, may have the cable run externally to a ceiling mounted termination with a cover plate.



[More Details](#)